

FA24 glass spinner flowmeter

Summary

FA24 glass spinner flowmeter is made by the process and equipment advanced in the world. The quality and performance are advanced in the world also. It is featured with high accuracy class and unique design. The flange joint can rotate so as to be aligned with four mounting holes. Even while the flowmeter is kept inside the pipe, the taper pipe and floater can be replaced conveniently.

Scale plate can be added.

The profile and installing dimensions

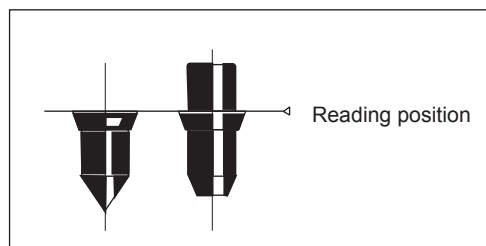


Fig.1

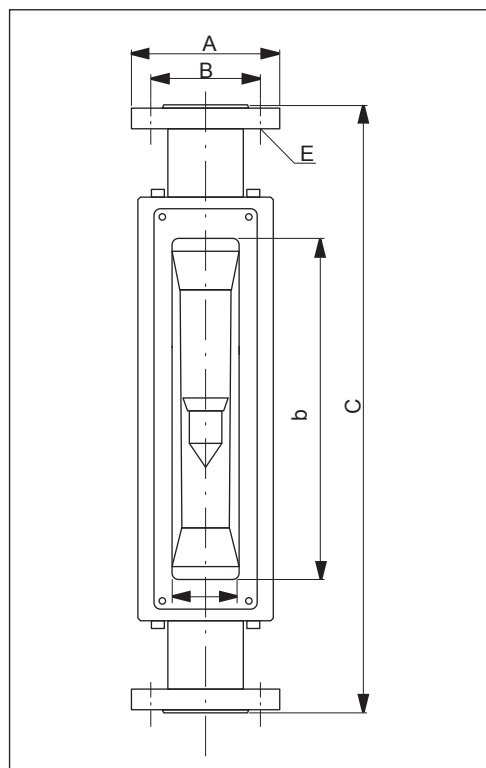


Fig.2



Bore (mm)	Window size (a × b)	C	B	A	E	Weight (kg)
DN15	37 × 302	500	∅ 65	∅ 95	4- ∅14	6
DN25	52 × 294	500	∅ 85	∅ 115	4- ∅14	10
DN40	64 × 278	500	∅ 110	∅ 145	4- ∅14	13
DN50	94 × 266	500	∅ 125	∅ 160	4- ∅18	18
DN80	132 × 302	500	∅ 150	∅ 185	4- ∅18	32

Types and technical parameters

Bore(mm)	Model	Measuring range		Pressure loss (Pa)	Maximum pressure (MPa)	Maximum temperature (°C)	Accuracy class
		Water(20°C)L/h	Air (20°C 101325Pa)m³/h				
DN15	FA24-15 FA24-15F	10 ~ 100	0.3 ~ 3 0.5 ~ 5 0.8 ~ 8	1100	1.0	120	2.5
		16 ~ 160		1200			
		25 ~ 250		1700			
		40 ~ 400		2000			
		63 ~ 630		2500			
DN25	FA24-25 FA24-25F	63 ~ 630	2 ~ 20 3 ~ 30	2800	1.0	120	2.5
		100 ~ 1000		4000			
		160 ~ 1600		5000			
DN40	FA24-40 FA24-40F	250 ~ 2500	8 ~ 80	4000	0.9	120	2.5
		400 ~ 4000		5000			
DN50	FA24-50 FA24-50F	630 ~ 6300	20 ~ 200	6500	0.7	120	2.5
		1000 ~ 10000		8500			
DN80	FA24-80 FA24-80F	1600 ~ 16000		8000	0.5	120	2.5
		2500 ~ 25000		9000			

Note: 1. The pressure of the media in the flowmeter, for the liquid, shall be at least two times of the loss of pressure, for the gas, must exceed 5 times of pressure loss.
2. Accuracy class shall be 1.5 and be noted in the order.
3. The maximal flow of corrosion resistant tetrafluorethylene floater is one class lower than the conventional type.

All stainless steel FA24-()^B_{BF} FA24-()^{B0}_{B0F}

Material of flange, floater, guide rod, bearing plate and bolts is stainless steel 304(1Cr18Ni9Ti), model is of FA24-()B. Choosing 316 for material touching the fluid, the model should be FA24-()B0 which can be ordered as required. Choosing stainless steel with inner lining of PTFE, the model should be FA24-()BF(316 is B0F) which can be ordered as required.

Material	Spare parts				
	Floater	Base	Stop	Seal ring and shim	Guide rod
FA24-15, 25, 40, 50, 80	1Cr18Ni9Ti Stainless Steel	Cast iron	Fluoroplastics	High temperature resistant rubber	1Cr18Ni9Ti Stainless Steel
FA24-15F, 25F, 40F, 50F, 80F	Coated with fluoroplastics	Cast iron with the inner lining of fluoroplastics	Fluoroplastics	Fluorine rubber	

Note: If the media is organic solvent, please note it in the order.